

18-35 kW Vaporising Universal Waste Oil Heater



NEW! ZM-135T WARM AIR BLOWING UNIVERSAL OIL SPACE HEATER

FEATURES

- 220-240V mains supply - plug and play!
- Built in 55 ltr fuel storage tank
- Manual ignition
- Variable heat output control
- Stainless steel combustion chamber
- Enclosed combustion chamber
- Burner fan for faster warm-up
- High efficiency cabinet design

SAFETY FEATURES

Overheat, overflow and spill protection are included as standard on all models. The heaters conform to construction & safety requirements of PN-EN 1 & PN-EN 1 : 2001/A1

BLOWER FAN

ZM-135T blows 1,000m³ per hour

FUEL TYPES

The heaters run on most used oils including motor oils, heating oils, gear oils, hydraulic oils and cooking oils as well as fuel oils including diesel, red diesel and 35 sec heating oil.

FURTHER INFORMATION

For help on selecting the right size of heater, or more information, please visit the website or contact us.

WHY CHOOSE ZM Heaters?

We offer unbeatable value along with complete UK service and support.

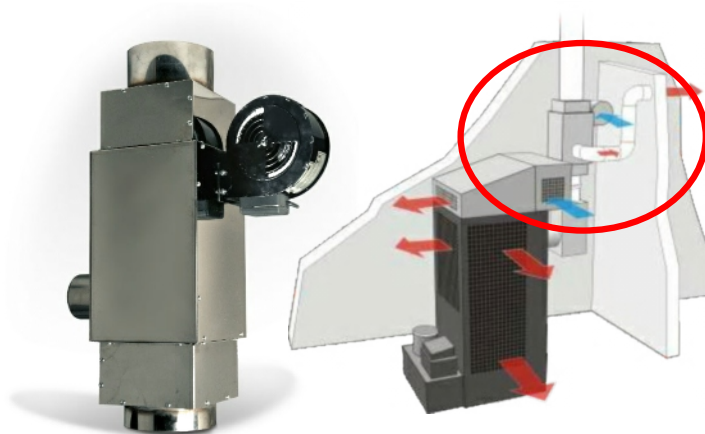


SPECIFICATIONS

Type	ZM-135T
Min gross heat output (kW)	18
Max gross heat output (kW)	35
Min oil consumption (ltr / hr)	1.5
Max oil consumption (ltr / hr)	3.5
Heated airflow (m ³ / hr)	1000
Power supply	220-240V
Flue diameter (mm)	150
W x D X H (cm)	54 x 70 x 133
Weight (kg)	76

HEATER BOOSTER

The heater booster is an in-line multipass stainless steel flue gas heat exchanger which can raise efficiency on HP heaters to over 90%. This means **over 40% more heat** is realised from your fuel that would otherwise be lost up the flue. A 220-240V supply is required for the fan. The booster simply slots in before the flue. The heat outlet can be ducted if required (see as illustrated).



NEW CONTROL PANEL

Warning lights show if overheat or overflow have been triggered.

The improved control panel also features three green LED lights to confirm the heater is operating correctly.

Variable HEAT OUTPUT SETTINGS - 18 TO 35 kW